

FEATURES:

- Input: AC 100-240V~ 50/60Hz
- Interchangeable plugs: US, EU, AU, UK, KR plug
- Power: 5W 12W 18W series
- Ovp, ocp, scp and Over load protection
- Ripple < 120mV
- Efficiency level: VI
- Dimension: 62*39.2*32mm(exclude plug)
- Output can be cable attached or USB A port



SAFETY:

SAFETY:	
Safety Standard	UL 62368, IEC 62368, EN 61558, IEC60601, IEC60335
Safety Approval	UL/cUL, CE, FCC, UKCA, PSE, CB, SAA, KC, TUV
EMC Standard	EMC EMISSION: EN55032 class B (CISPR32), EN61000-3-2,-3, EAC TP TC 020 EMC IMMUNITY: EN61000-4-2,3,4,5,6,8,11, EN55024; light industry level, criteria A, EAC TP TC 020
MTBF	50K hrs min. MIL-HDBK-217F (25°C)

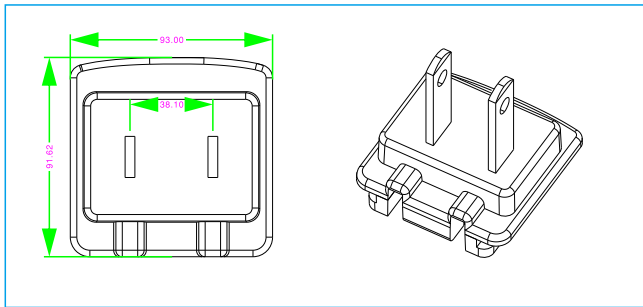
MODEL LIST:

5W UNIVERSAL SERIES

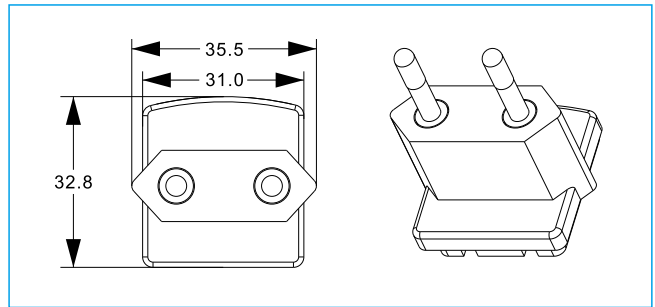
MODEL	INPUT VOLTAGE	POWER	OUTPUT VOLTAGE	OUTPUT CURRENT	PLUG TYPE
SK01G-050100Z	100-240VAC	5W	5V	1.0A	US,EU,AU,UK
SK01G-050120Z	100-240VAC	6W	5V	1.2A	US,EU,AU,UK
SK01G-090050Z	100-240VAC	4.5W	9V	0.5A	US,EU,AU,UK
SK01G-120050Z	100-240VAC	6W	12V	0.5A	US,EU,AU,UK

Mechanical Diagram

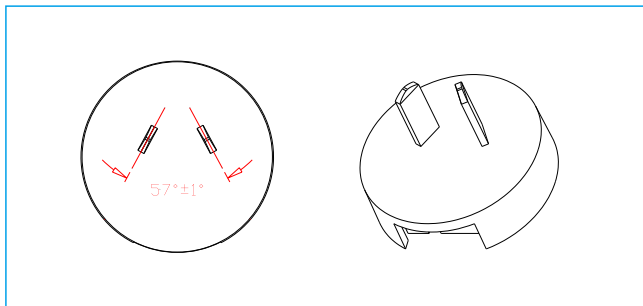
US PLUG



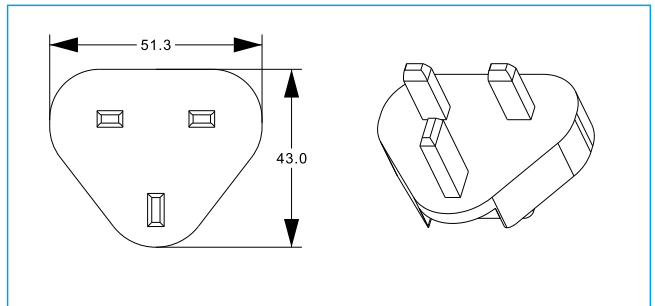
EU PLUG



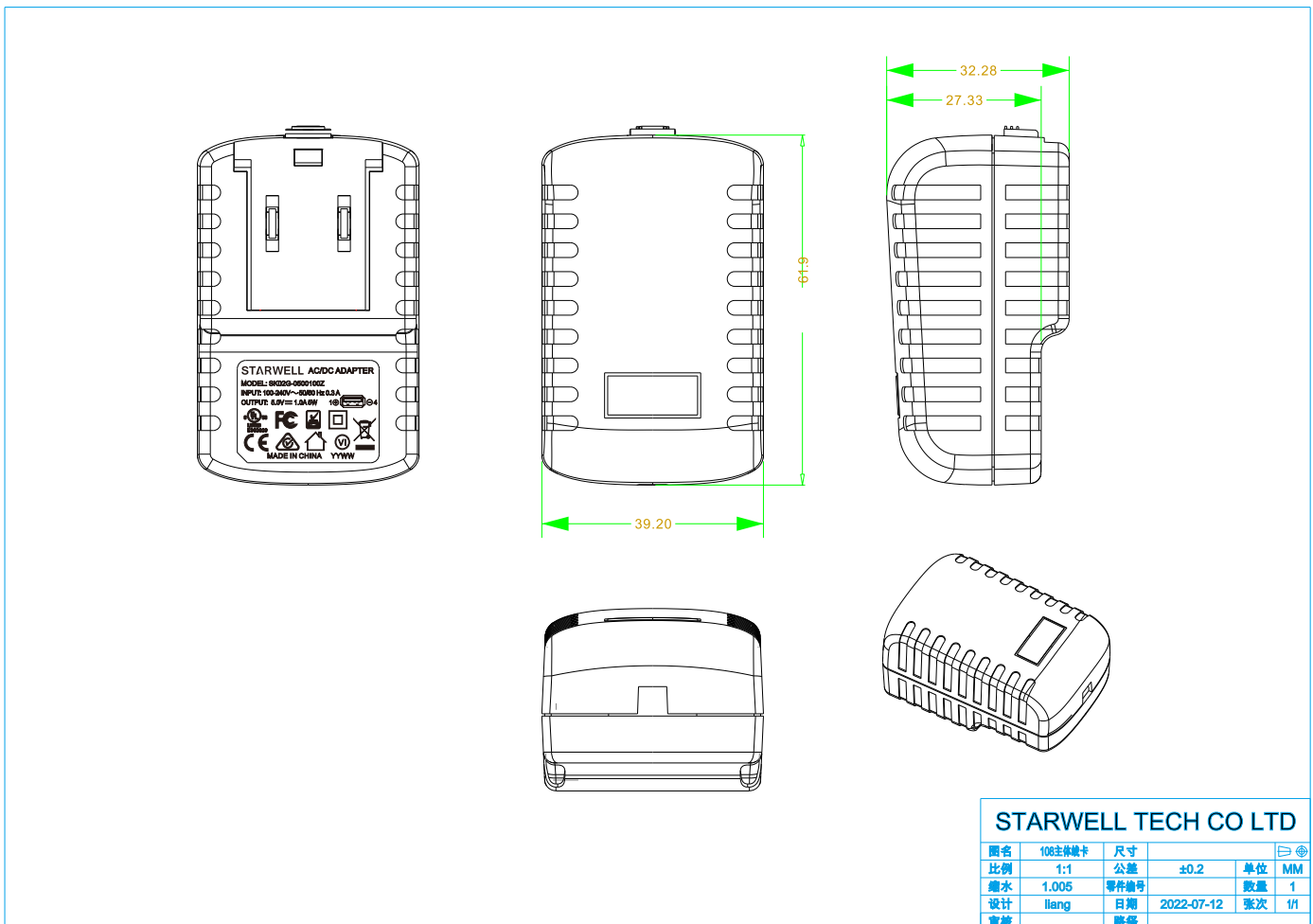
AUS PLUG



UK PLUG



Adapter Mechanical:



STARWELL TECH CO LTD					
图名	108主体端子	尺寸			
比例	1:1	公差	±0.2	单位	MM
缩水	1.005	零件编号		数量	1
设计	llang	日期	2022-07-12	张次	1/1
审核		路径			