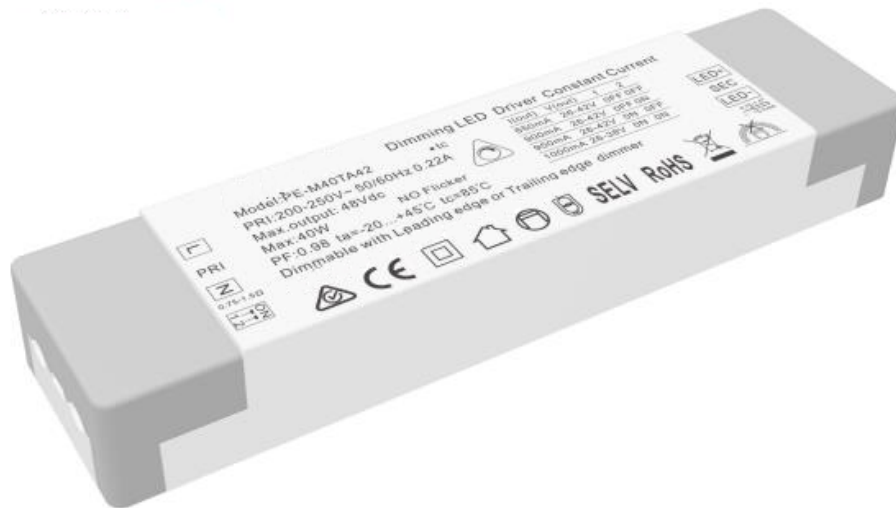


PE-M40TA 42W



[5 years]  **RoHS SELV**  **Class 2**



Features:

1. LED Triac dimming driver ,dimming range 0.02-100%
2. Suitable for RPC MOSFET dimmer and FPC TRAIC dimmer
3. Protection type: short circuit / overcurrent / overvoltage
4. Natural air cooling and heat dissipation
5. Ultra small volume design
6. Conform to the world lighting equipment safety standards
7. Protection class II
- 8.5 year warranty
9. The design of crimping cover is convenient and fast
- 10.4 gear current selection

Application:

1. Led monochrome light source
2. Villa intelligent lighting
3. Access to wireless intelligent lighting system
4. Museum lighting
5. High end commercial lighting

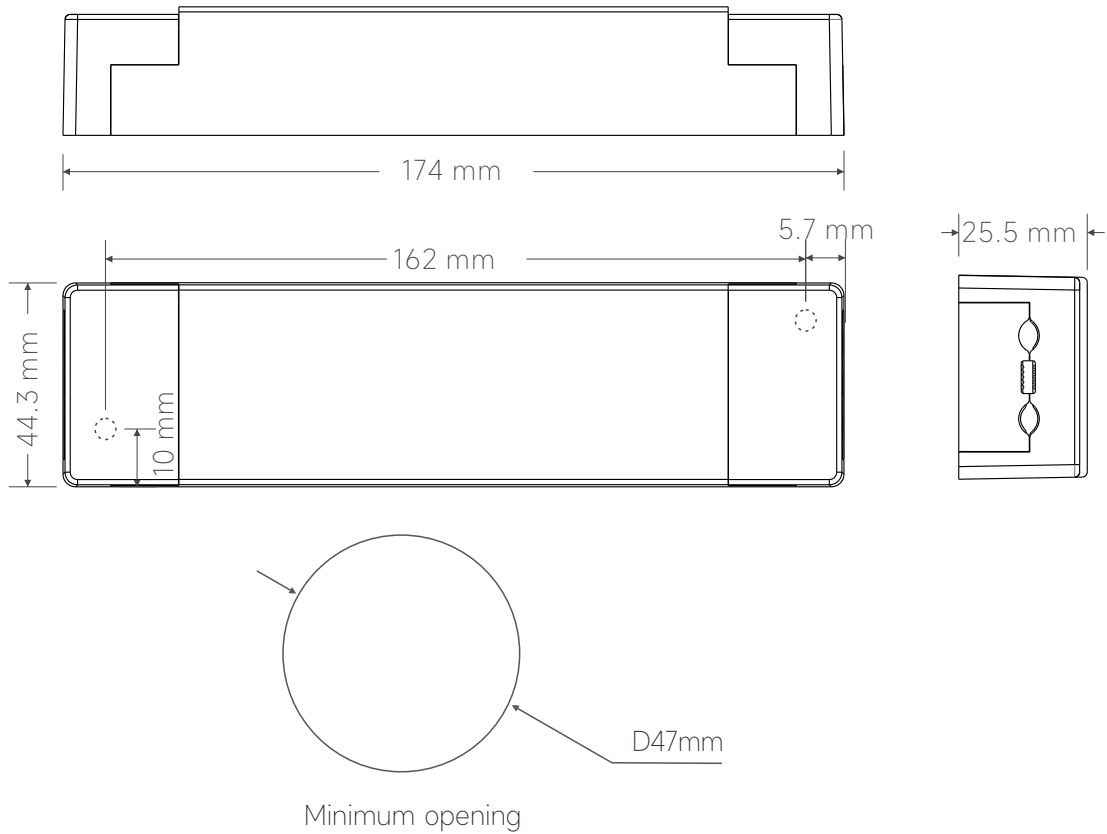
General description:

Ultra small size design, the raw materials used are first-line brands, imported chip ultra deep dimming design, matching various European brands of dimmers Anti surge voltage 1.8KV, smooth dimming, flicker free, adjustable current design, low noise in dimming process

Specification:

	Model	PE-M40TA42
OUTPUT	Output Voltage	26-42Vdc
	Max Output Voltage	42Vdc
	Non-load Output Voltage	47Vdc
	Output Current	850/900/950/1000mA
	Output Power	22.1W~42W
	Strobe Level	No Flicker
	Dimming Range	0~100%, LEDstart at 0.02%possible.
	PWM Dimming Frequency	>3600Hz
	Current Accuracy	±5%
	Power down mode	/
INPUT	Dimming Interface	AC phase cut dimming (Triac dimming)
	Input Voltage Range	200-250Vac
	Frequency	50/60Hz
	Input Current	<0.22A ac200v
	Power Factor	PF>0.98/230V ac(at full load)
	THD	230Vac@THD <18% (at full load)
	Efficiency(typ.)	87%
	Inrush Current(typ.)	cold start20A@230Vac
	Anti Surge	L-N: 1.8kV
	Leakage Current	<0.8mA/230Vac
ENVIRONMENT	Working Temperature	ta: 45°C tc: 85 °C
	Working Humidity	20 ~ 95%RH, non-condensing
	Storage Temp., Humidity	-40 ~ 80°C, 10~95%RH
	Temp.Coefficient	±0.03%/°C(0-50)°C
	Vibration	10~500Hz, 2G 12min./1cycle, period for 72min. each along X, Y, Z axes.
PROTECTION	Over-heat Protection	Intelligently adjusting or turning off the output current if the PCB temperature ≥110°C, , auto recovers.
	Over Load Protection	Shut down the output when rated power≥102%, auto recovers.
	Short Circuit Protection	Shut down automatically if short circuit occurs, auto recovers.
	Non-load Protection	output Constant Voltage.
SAFETY & EMC	Withstand Voltage	I/P-O/P: 3750Vac
	Isolation Resistance	I/P-O/P: 100MΩ/500VDC/25°C/70%RH
	Safety Standards	IEC/EN61347-1, IEC/EN61347-2-13
	EMC Emission	EN55015, EN61000-3-2 Class C, IEC61000-3-3
	EMC Immunity	EN61000-4-2,3,4,5,6,8,11, EN61547
	Strobe Test Standard	IEEE 1789
OTHERS	Dimension	174X45.2X25.5mm(L×W×H)
	Packing	PE bag
	Weight(G.W.)	248g±10g

Dimensions :



Product Label:

Dimming LED Driver Constant Current

 PRI 0.75-1.5□ 	Model: PE-M40TA42 • tc PRI: 200-250V~ 50/60Hz 0.22A Max.output: 48Vdc Max: 40W NO Flicker PF: 0.98 ta: -20...+45°C tc=85°C Dimmable with Leading edge or Trailing edge dimmer	 <table border="1" style="font-size: small; text-align: center;"> <thead> <tr> <th>I(out)</th> <th>V(out)</th> <th>1</th> <th>2</th> </tr> </thead> <tbody> <tr> <td>850mA</td> <td>26-42V</td> <td>OFF</td> <td>OFF</td> </tr> <tr> <td>900mA</td> <td>26-42V</td> <td>OFF</td> <td>ON</td> </tr> <tr> <td>950mA</td> <td>26-42V</td> <td>ON</td> <td>OFF</td> </tr> <tr> <td>1000mA</td> <td>26-38V</td> <td>ON</td> <td>ON</td> </tr> </tbody> </table>	I(out)	V(out)	1	2	850mA	26-42V	OFF	OFF	900mA	26-42V	OFF	ON	950mA	26-42V	ON	OFF	1000mA	26-38V	ON	ON	LED+ SEC LED- 0.75-1.5□ -5-7mm
I(out)	V(out)	1	2																				
850mA	26-42V	OFF	OFF																				
900mA	26-42V	OFF	ON																				
950mA	26-42V	ON	OFF																				
1000mA	26-38V	ON	ON																				

SELV RoHS

LED Current Selection:

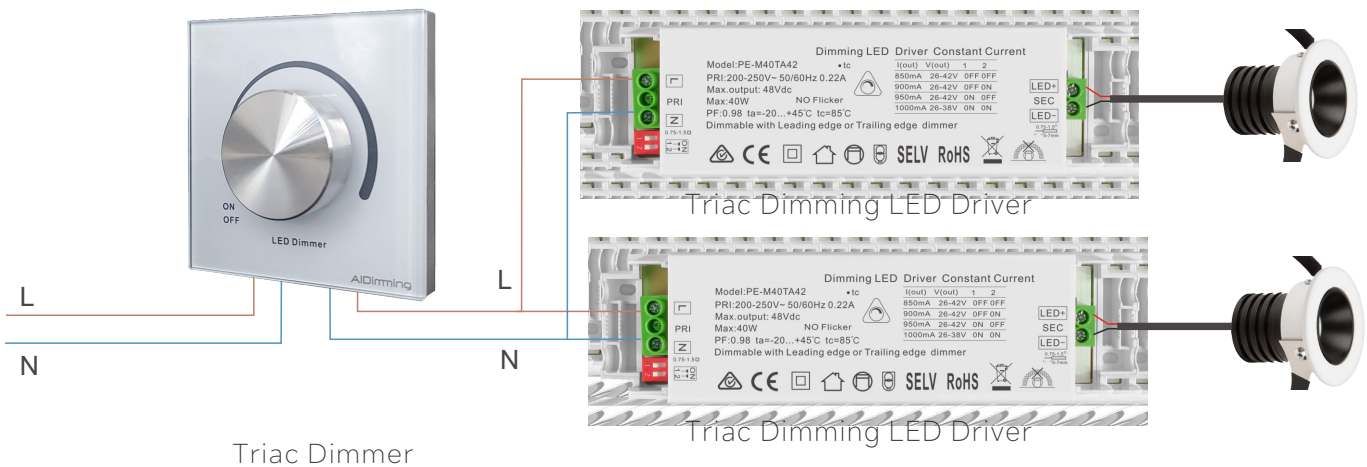
Dip switch quickly selects the current value setting of gear 4 (see the table for specific methods)

PE-M40TA42	DIP Switch				
	Output Current	850mA	900mA	950mA	1000mA
	Output Voltage	26-42V	26-42V	26-42V	26-42V
	Output Power	22.1W-35.7W	23.4W-37.8W	24.7W-39.9W	26W-42W

Dip switch quickly selects the current value setting of gear 4 (see the table for specific methods)

Assuming that the voltage of LED is 3.2v/piece, the output voltage range of power supply 9-24v can be connected in series with 3-7 LEDs, and the output voltage range of 26-42v can be connected in series with 8-12 LEDs, The maximum number of series is subject to the actual voltage of the LED.

Wiring Diagram:



Note: there are two kinds of Aldimming brand dimmers, one is L, N in, L, N out (with infrared remote control), the other is L in, L1 out, thyristor dimmer;

Wiring:

The input terminal: wire gauge (0.15mm² – 1mm²) wire stripping requirement:6-7mm.
 The output terminal: wire gauge(0.15mm² – 1mm²) wire stripping requirement :6-7mm.

Compatibility:

Dimmer Model	Wring 1 sample	Wring 2 samples	Wring 3 samples	Dimmer Model	Wring 1 sample	Wring 2 samples	Wring 3 samples	Dimmer Model	Wring 1 sample	Wring 2 samples	Wring 3 samples
ELKO 315GLED	NF	NF	NF	BG DM400AP UK	NF	NF	NF	HPM CAT 400L	NF	NF	NF
ELKO 316GLED	NF	NF	NF	CLIPSAL 32E540LM	NF	NF	NF	KAOYI KDT-450A	NF	NF	NF
POL CAT634LM	NF	NF	NF	CLIPSAL 32E540UDM	NF	NF	NF	DIGINET DGLCDM400	NF	NF	NF
DETA GR100 UK	NF	NF	NF	CLIPSAL 32E54TM	NF	NF	NF				
Rmarks	Abbreviation: no flicker - NF, not compatible - NC, slight flicker - SL, flicker - F, strict flicker - SF										

Note: due to the different power of dimmer and dimming system, the compatibility will be different. Before purchase, it needs to confirm with the business to ensure the best matching effect of the product.

Attention:

matters needing attention:

Note 1 When using this power supply, please pay attention to distinguish the input end and output end. Please wire correctly. The output can be divided into positive and negative poles. It can be powered on only after checking it;

Note 2 Please connect the load at the DC output first, confirm it is correct, and then turn on the power supply; In the constant current mode, if the open circuit is powered on, please turn off the power supply and connect the LED after the electric energy stored at the output end is released, otherwise the LED may be burned out;

Note 3 This power driver is limited to LED lamps. The input voltage range of the product is ac200-250v, the output voltage range is within the specified voltage range, the output current is within the specified use range, the operating ambient temperature is - 20 to + 45 °C, and the surface cannot be covered with thermal insulation cotton and other items that block the heat dissipation of the product. Under the environment that meets the service conditions of the product, this product enjoys a 5-year free warranty.

The abnormal conditions and the corresponding treatment methods:

1. If the power supply does not light up after the electrical connection of the device for the first time, please cut off the AC input terminal and check:

- a) Whether the DC output terminal has poor contact;
- b) Whether the positive and negative poles of DC output end are connected reversely and whether the LED board is welded reversely;
- c) Whether the AC input terminal has poor contact; Remove the above faults before testing.

2. After the device is electrically connected, the LED light is on, but the LED light flashes. Please cut off the AC input and check the DC output:

- a) Whether there is overload, overload and light load;
- b) The design parameters of the power supply are inconsistent with the actual use parameters (whether they are within the design output voltage range of the power supply).

Statement:

The pictures and specifications are for reference, subject to the real object. If there is any change in the specifications, it will be notified separately.